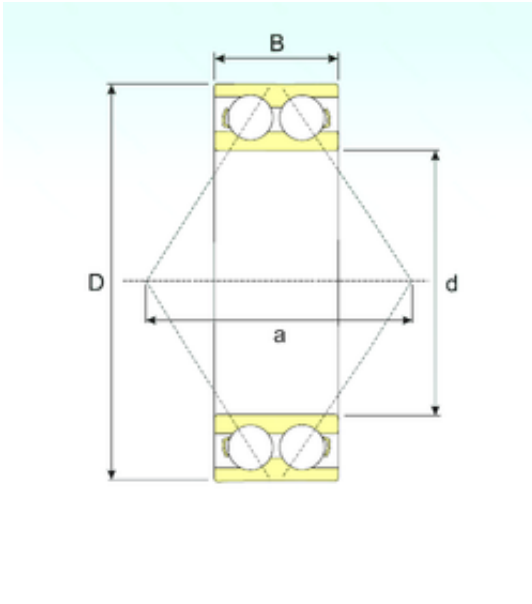




Tolamentos do Brasil Ltda



3204 Bearing 2D drawings and 3D CAD models

20 mm x 47 mm x 20,6 mm CYSD 3204 angular contact ball bearings

Bearing No. 3204

Size	20x47x20.6 mm
Bore Diameter	20 mm
Outer Diameter	47 mm
Width	20,6 mm
d	20 mm
D	47 mm
B	20,6 mm
C	20,6 mm
r min.	1 mm
Weight	0,17 Kg
Basic dynamic load rating (C)	17,2 kN
Basic static load rating (C0)	15 kN
(Grease) Lubrication Speed	9000 r/min