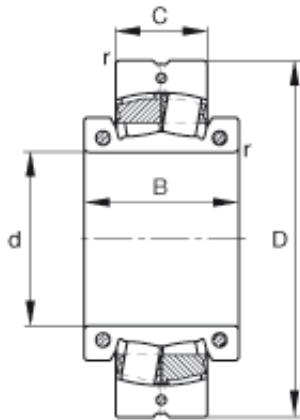




Tolamentos do Brasil Ltda



100 mm x 180 mm x 90 mm FAG 231SM100-MA spherical roller bearings

Bearing No. 231SM100-MA

231SM100-MA Bearing 2D drawings and 3D CAD models

Size	100x180x56 mm
Bore Diameter	100 mm
Outer Diameter	180 mm
Width	56 mm
d	100 mm
D	180 mm
C	56 mm
B	90 mm
r_{\min}	2 mm
m	6,8 kg / Weight
C_r	310000 N / Dynamic load rating (radial)
e	0,28
Y_1	2,37
Y_2	3,53
C_{0r}	430000 N / Static load rating (radial)
Y_0	2,32
n_G	1400 1/min / Limiting speed
C_{ur}	30000 N / Fatigue limit load, radial
$F_{a \max}$	7600 N / Permissible axial load, for inner ring without axial abutment
M_i	14 Nm / Tightening torque per clamping screw



Tolamentos do Brasil Ltda

M_a	4 Nm / Tightening torque per clamping screw
	23122K / Designation, spherical roller bearing, unsplit