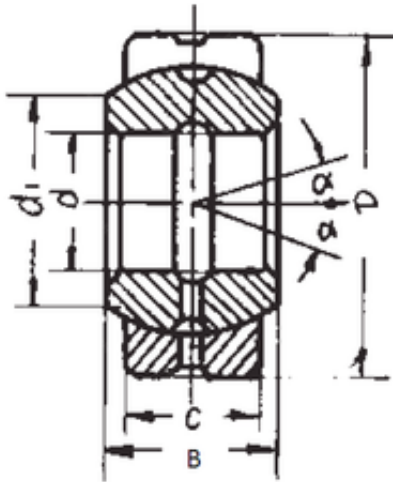




Tolamentos do Brasil Ltda



200 mm x 290 mm x 130 mm FBJ GE200ES
wqhmv.com

Bearing No. GE200ES

Size	200x290x130 mm
Bore Diameter	200 mm
Outer Diameter	290 mm
Width	130 mm
d	200 mm
D	290 mm
B	130 mm
C	100 mm
d1	212 mm
Angle	7 °
Weight	28,03 Kg
Basic dynamic load rating (C)	2120 kN

GE200ES Bearing 2D drawings and 3D CAD models