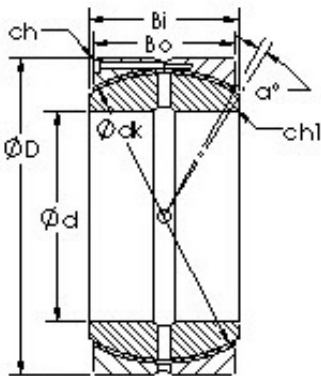




Tolamentos do Brasil Ltda



AST GEH180HCS plain bearings

Bearing No. GEH180HCS

Bore Diameter	180 mm
Outer Diameter	260 mm
Bearing Type	standard
Bore Dia (d)	180.0000
Outer Dia (D)	260.0000
Outer Width (Bo)	122.0000
Inner Width (Bi)	128.0000
Dynamic Load Rating (Cr)	2,920,000
Static Load Rating (Cor)	5,840,000
Max. shaft corner radius, or 45 deg. chamfer (ch1)	1.100
Max. housing corner radius, or 45 deg. chamfer (ch)	1.100
Spherical Diameter (dk or Dk)	240.000
Mis-alignment Angle (α deg.)	2
Weight (g)	26,700.00
Material	Outer ring made from carbon steel, inner ring 52100 chrome steel or equivalent

GEH180HCS Bearing 2D drawings and 3D CAD models