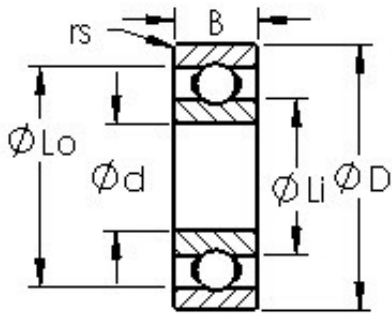




Tolamentos do Brasil Ltda



AST 6218 deep groove ball bearings

Bearing No. 6218

Size	90x160x30 mm
Bore Diameter	90 mm
Outer Diameter	160 mm
Width	30 mm
Bearing Type	Open
Bore Dia (d)	90.0000
Outer Dia (D)	160.0000
Width (B)	30.0000
Radius (min) (rs)	2.000
Dynamic Load Rating (Cr)	96,100
Static Load Rating (Cor)	71,500
Max Speed (Grease) (X1000 RPM)	4
Max Speed (Oil) (X1000 RPM)	5
Max. Shaft Shoulder Dia. Inner (Li)	107.5
Min. Housing Shoulder Dia., Outer (Lo)	151.0
Weight (g)	2,150.00
Precision	A1
Standard Clearance	C0
Material	52100 Chrome steel (or equivalent)

6218 Bearing 2D drawings and 3D CAD models